



# WR340 DIRECTIONAL COUPLER

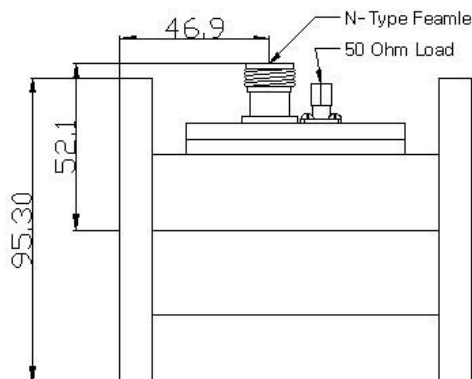
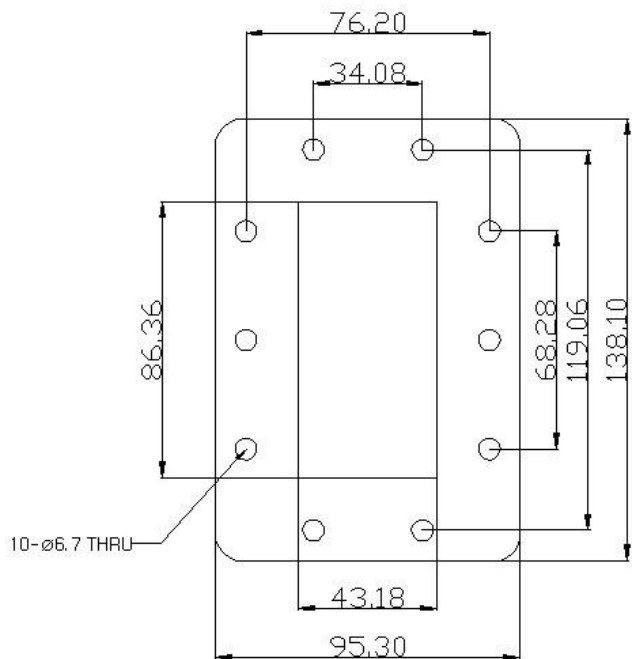
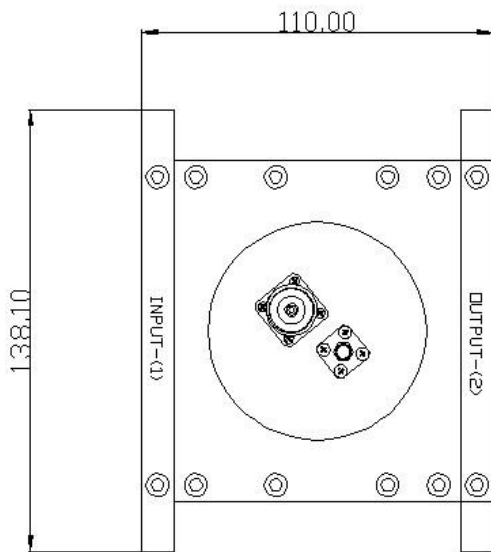
## 2,400 ~ 2,500 MHz

# ADDC245WR340-SB

### Electrical Characteristics

Parameter	Units	Specifications
Frequency	MHz	2,400 ~ 2,500
VSWR	Max.	1.2:1
DIRECTIVITY		15 Typ.
Power	Max.	6kW
Coupling (FWD)	dB	-50.0±1.0
Waveguide Size	WR	WR340
Dimensions	mm	110 x 138.1 x 95.3

### Mechanical Dimensions



Unit: mm  
Tolerance: ±0.5mm

