



DROP-IN Isolator

310 ~ 330 MHz

ADI032GDT

Features

- 17dB typical Isolation, 0.35dB typical Insertion Loss at room temperature.
- Custom products available with alternate configurations such as attenuators, high power terminations, reverse circulation etc.
- Designed for Wireless Telecommunications Systems.
- RoHS Compliant

Options

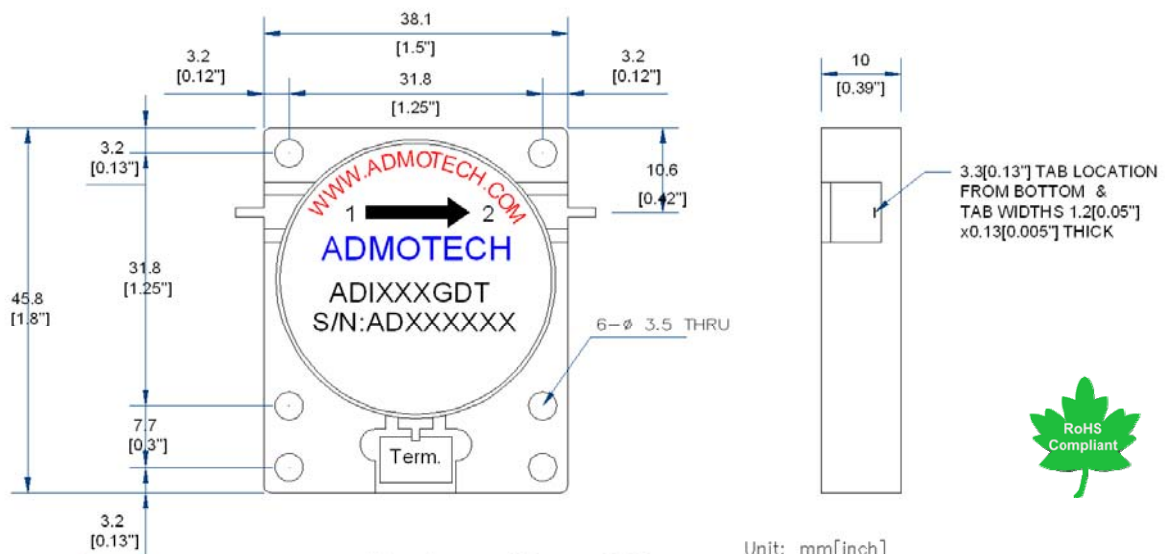
The customers can choose as follows

- Direction : Clockwise(Default) or Counter Clockwise.
- T : Termination, A3 : -30dB Attenuator for detection, A2 : -20dB Attenuator for detection

Electrical Characteristics

Parameter	Units	Specifications
Frequency	MHz	310 ~ 330
Insertion Loss	dB Max.	0.50
Isolation	dB Min.	15
VSWR	Max.	1.50 : 1
Temperature	°C	- 20 ~ +80
FDW./REV. Power	W Max.	150/100
Input/Output Impedance	Ω	50

Mechanical Dimensions



Package Size : GD
Option Type : T
Direction:Clockwise Default

Unit: mm[inch]
Tolerance: ±0.2mm



If you do not find appropriate frequency range, Please contact with sales@admotech.com