



Coaxial SMA Type Circulator 12.0 ~ 24.0 GHz

ADC1224CSIH

Features

- 17dB typical Isolation, 0.6dB typical Insertion Loss at room temperature.
- Wide band characteristic.
- Robust design for shock and vibration.
- RoHS Compliant

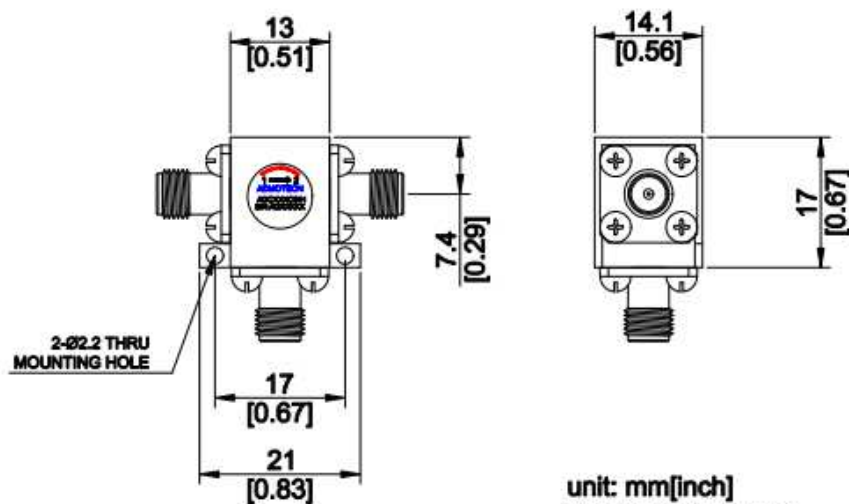
Options

- The customers can choose as follows
- Direction : Clockwise(Default) or Counter Clockwise.

Electrical Characteristics

Parameter	Units	Specifications
Frequency	GHz	12.0 ~ 24.0
Insertion Loss	dB Max.	0.8
Isolation	dB Min.	15.5
VSWR	Max.	1.40 : 1
Temperature	°C	-10 ~ 70
FWD./REV. Power	W Max.	5/1
Input/Output Impedance	Ω	50

Mechanical Dimensions

**TOP VIEW****SIDE VIEW**