



# Coaxial N Type Circulator

## 310 ~ 330 MHz

### ADC032CNWH

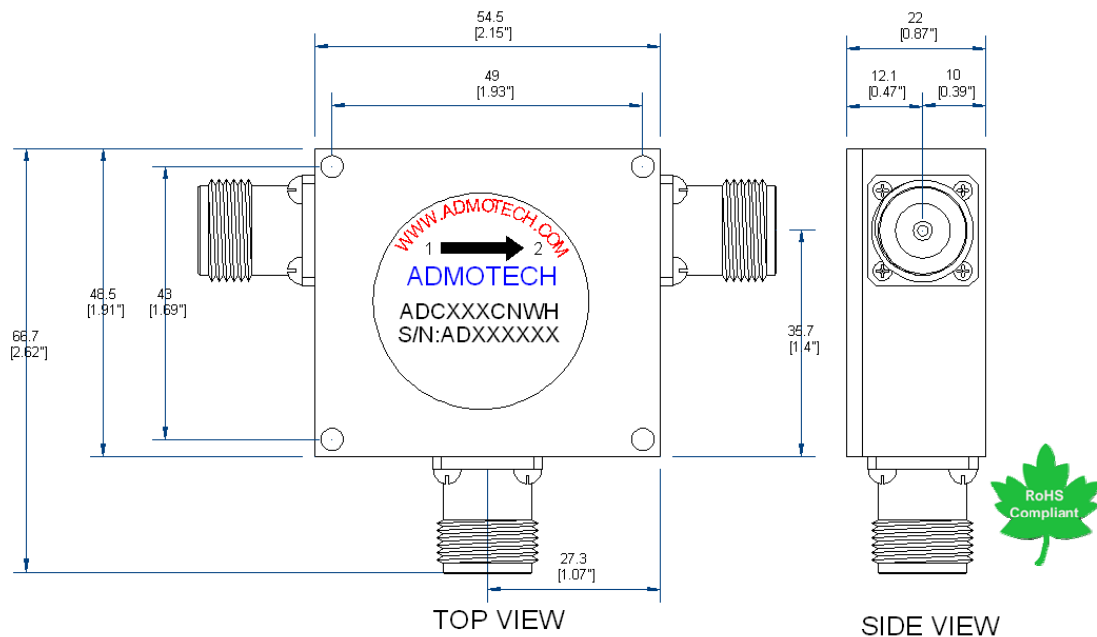
### Features

- 17dB typical Isolation, 0.45dB typical Insertion Loss at room temperature.
- Custom products available with alternate configurations such as attenuators, high power terminations, reverse circulation etc.
- Designed for Wireless Telecommunications Systems.
- RoHS Compliant

### Electrical Characteristics

Parameter	Units	Specifications
Frequency	MHz	310 ~ 330
Insertion Loss	dB Max.	0.60
Isolation	dB Min.	15
VSWR	Max.	1.50 : 1
Temperature	°C	- 20 ~ +80
FDW./REV. Power	W Max.	150/100
Input/Output Impedance	Ω	50

### Mechanical Dimensions



Unit: mm[inch]  
Tolerance: ±0.2mm

If you do not find appropriate frequency range, Please contact with sales@admotech.com